



Multipurpose Ball Valves



FloLok® FB Series

- ✓ Working Pressure: up to 6000 psig (413 bar)
- ✓ Temperature Range: -40 to 400°F (-40 to 204°C)
- ✓ Flow Coefficient: up to 13.8
- ✓ End Connections: 1/4 to 1 in., 6 to 16mm
- ✓ Floating ball design
- ✓ Live-loaded seats
- ✓ Wide variety of end connection types and sizes





At SSP, we are proud to be an American manufacturing success story.

100% of our products are made in America. All of our manufacturing is performed in our 165,000 sq. ft. facility located near Cleveland, Ohio. Our facility is the largest vertically integrated, single-site operation in the industry. In addition to manufacturing and assembly, we have closed die forging, tool & die design, product engineering and testing operations under the same roof with the customer service and management.

Made in America is good business. Not only do we make everything in America, we use American suppliers too. Buying American allows us to have better quality control and a more reliable supply chain. We can work more closely within our walls and with our suppliers to improve quality, reduce costs, and shorten lead times, which means faster service and better products for you.

SSP Industry Standard Products.
Made Better.

TABLE of CONTENTS

Introduction	3	Temperature and Pressure Ratings	9
Problem Assessment	4	Ordering Information	10
How it Works	6	Options	12
Product Design	8	Special Order Instructions	14
Materials of Construction	9	Testing, Safety, Warranty	14

FB Series: A Better Ball Valve

FB Series ball valves can be used in many applications where other ball valves should not be used. Consider FB Series for the following applications:

High Pressure – Fully supported and live-loaded PEEK seats provide the protection and durability needed for a repeated leak-tight shutoff and easier actuation in high-pressure applications up to 6000 psig (413 bar).

High Temperatures – FB Series valves are rated to 6000 (413 bar) psig at 250°F (121°C). Fully supported PEEK seats resist deformation even when closed for an extended time at higher temperatures and pressures.

Low Differential Pressure – Live-loaded seats allow FB Series valves to provide leak-tight performance even when there is low differential pressure. Many other floating ball valves cannot seal effectively in these conditions.

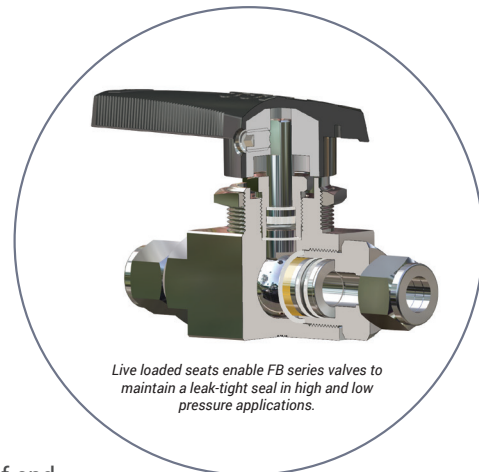
Low Temperatures – LFB Series valves have the same pressure and cycle characteristics down to -40°F/C.

High Flow – FB Series valves have a maximum flow coefficient (Cv) of 13.8 at 6000 psig (413 bar) and 250°F (121°C).

High Cycle – Live-loaded PEEK seats resist damage and deformation, compensate for wear, and provide chemical compatibility.

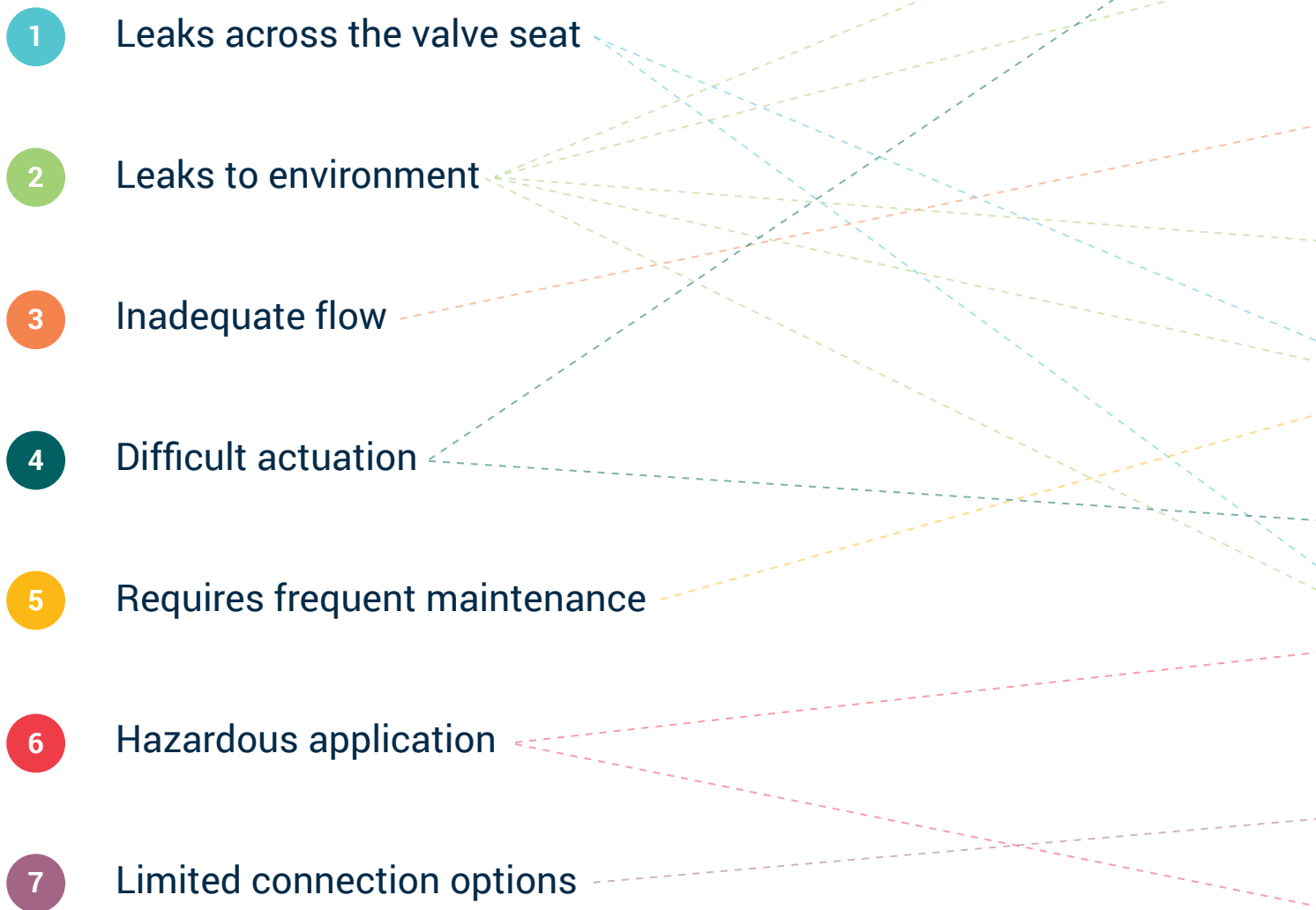
Hazardous Media – Robust stem and body seals combined with live-loaded seats keep hazardous media contained.

Design Flexibility – FB Series valves can be configured in hundreds of end connection types and sizes. ISO 5211 actuator brackets and coupling, colored handles, special cleaning, and other options are available.



Live loaded seats enable FB series valves to maintain a leak-tight seal in high and low pressure applications.

Do you have any of these problems?





FB

The SSP FB Series is simply a better product, relieving these common problems.

FB Series ball valves are pressure rated up to 6000 psig (413 bar). FB Series ball valves are designed to provide reliable leak-tight performance up to their maximum pressure for thousands of cycles, depending on specific application variables such as pressure, temperature, media and contamination. A combination of design features makes them more suitable for demanding applications. The following factors will help determine if the FB Series is the best choice for your application.

Pressures to 6000 psig 2 4

Live-loaded PEEK seats protect the seat from damage and wear during actuation at high pressure. Live-loaded seats help to prevent the ball from embedding in the seats making high-pressure actuation easier. In addition, the end-screws fully support the seats to protect them from deformation.

Pressures to 6000 psig, Temperatures -40°F to 250°F 2

With fully supported PEEK seats, FB Series valves can be used in applications with working pressures up to 6000 psig (413 bar) at 250°F (121°C). The end-screw fully supports the seat to protect it from deformation even as temperatures increase. Low-temperature LFB Series valves can be specified for applications from -40 to 200°F (-40 to 93°C) and pressures up to 6000 psig (413 bar).

Pressures to 6000 psig, Temperatures to 250°F, Cv up to 13.8 3

FB Series valves have flow coefficients up to 13.8 at 6000 psig (413 bar). While other ball valves have similar flow coefficients, few can be used in systems with working pressures up to 6000 psig (413 bar) and temperatures from -40 to 250°F (-40 to 121°C).

Low Differential Pressure 2

The live loaded seat design supplements low upstream pressure to ensure a leak-tight seal. Conventional floating ball valves that do not have live loaded seats might be unable to seal in applications having low differential pressure.

High Cycle Life 1 2 5

Fully supported, live-loaded PEEK seats reduce and compensate for seat wear to increase cycle life to reduce downtime and maintenance costs. O-ring supports prevent extrusion to reduce damage and wear. The stainless steel handle insert improves durability in corrosive marine and industrial environments.

Manual Actuation at High Pressure 4

Live-loaded PEEK seats and stem bearings reduce actuation torque even at higher pressures. An ergonomic nylon handle makes the valve easy to actuate.

Hazardous Media/Gas Applications 1 2 6

FB Series valves provide safer, more reliable handling. Robust body, seat, and stem seals ensure that hazardous media does not escape to the environment. Live-loaded seats help to ensure that system media only flows when it is supposed to regardless of differential pressure. Because live-loaded seats compensate for seat wear, they can reduce the need to disassemble systems containing hazardous media for maintenance.

Unusual End Connection Type and Size Configurations 7

SSP provides an extensive range of end connection types and sizes. The end-screw design allows FB Series valves to be constructed with hundreds of connection type and size combinations to adapt to nearly any application.

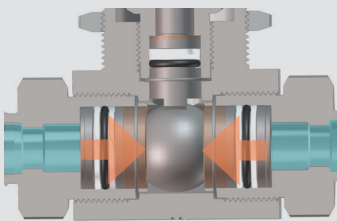
Tamper Resistant 6

FB Series valves are available with tamper resistant bonnet and end screw connections to prevent accidental disassembly of the valve. Locking devices are also available.

How does it work?

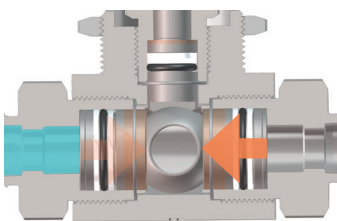
FB Series: a better floating ball valve

The FB Series ball valve has a floating ball with live loaded PEEK seats. Unlike other floating ball designs FB Series ball valves are not totally dependent on upstream pressure to seal. The illustration below will explain how the live-loaded seats work to deliver a leak-tight seal at both high and low pressures.



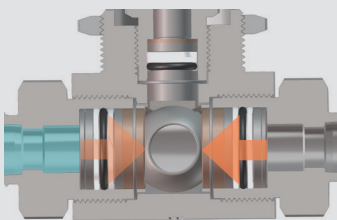
Open

Like all floating ball valves, the FB Series features a ball with a precision drilled orifice which allows gas or fluid (medium) to flow when the orifice lines up with the tubing that is carrying the medium. When the valve is open, fluid flows through the valve (blue). The springs apply force (red arrows) evenly to the seat glands, seats and ball.



Closed – High Upstream Pressure

When the ball is closed under high pressure, the upstream pressure forces the ball against the downstream seat to form a tight seal. Resistance from the downstream spring cushions the force of the ball against the seat to protect the seat.



Closed – Low Upstream Pressure

Because FB Series valves have live-loaded seats, they are not totally dependent on upstream pressure to create a seal. In a low pressure system or one with low differential pressure, the mechanical force exerted by the spring-loaded seats supplements the upstream pressure to ensure a leak-tight seal. Without the mechanical force exerted by the springs, the ball could disengage from the downstream seat.

Why choose the FB Series?

*Just because a valve is rated to 6000 psig, **does not mean that it will work at 6000 psig in your application.***

Be sure to ask these questions:

Can it be actuated at high pressure?

*Over and over again? How many times?
Even after weeks or months?*

Will it seal with low differential pressure? Under low & high system pressure?

Will it reseal? After months of sitting at high pressure? At different pressures?

*When you **cannot compromise:***

When you need a leak tight ball valve that works at high system temperatures and low differential pressure

... AND high and low temperatures

... AND high flows

... AND low actuation torque

When you need ball valves with higher cycle life

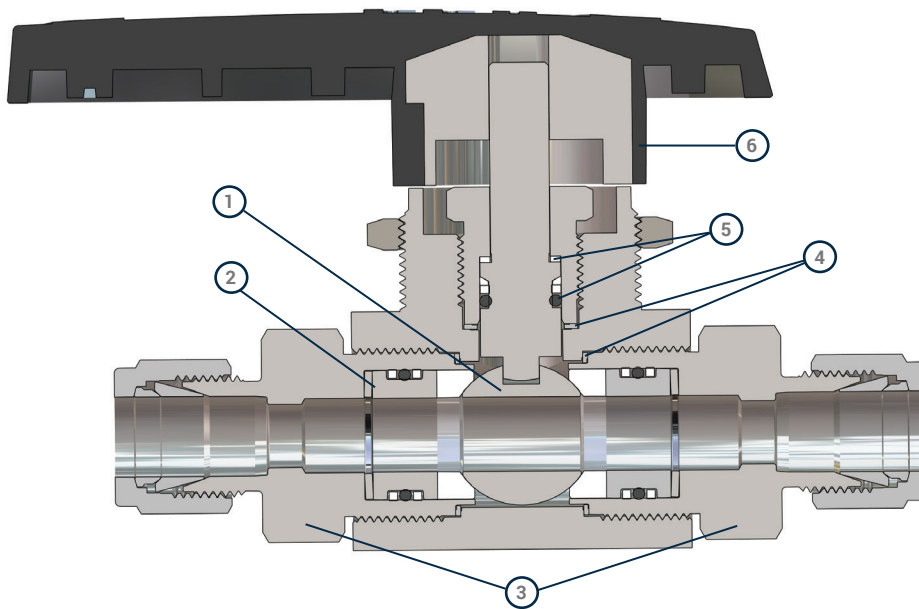
... AND lower maintenance

... AND lower cost of ownership

When you want to get the end connections you need, rather than the connections that come with the valve

*...choose **FB Series.***

Product Design



Drop in replacement size for Swagelok® AFS and SK Series Valves.
Meets ASME B31.3 design pressure calculations.

1 FLOATING BALL DESIGN

- Upstream pressure assists sealing against the downstream seat

2 LIVE-LOADED SEATS

- Improve sealing in high, low and dynamic pressure and flow conditions
- Fully supported seats improve cycle-life
- PEEK seats for chemical compatibility and durability

3 END SCREW CONSTRUCTION

- Wide variety of end connection type and size combinations
- Three tube fitting designs
- Easy maintenance

4 ROBUST BODY SEALS

- Leak-tight envelope

5 STEM BEARING AND O-RING STEM SEAL

- Leak-tight seal
- Low actuation torque
- No need for packing adjustments

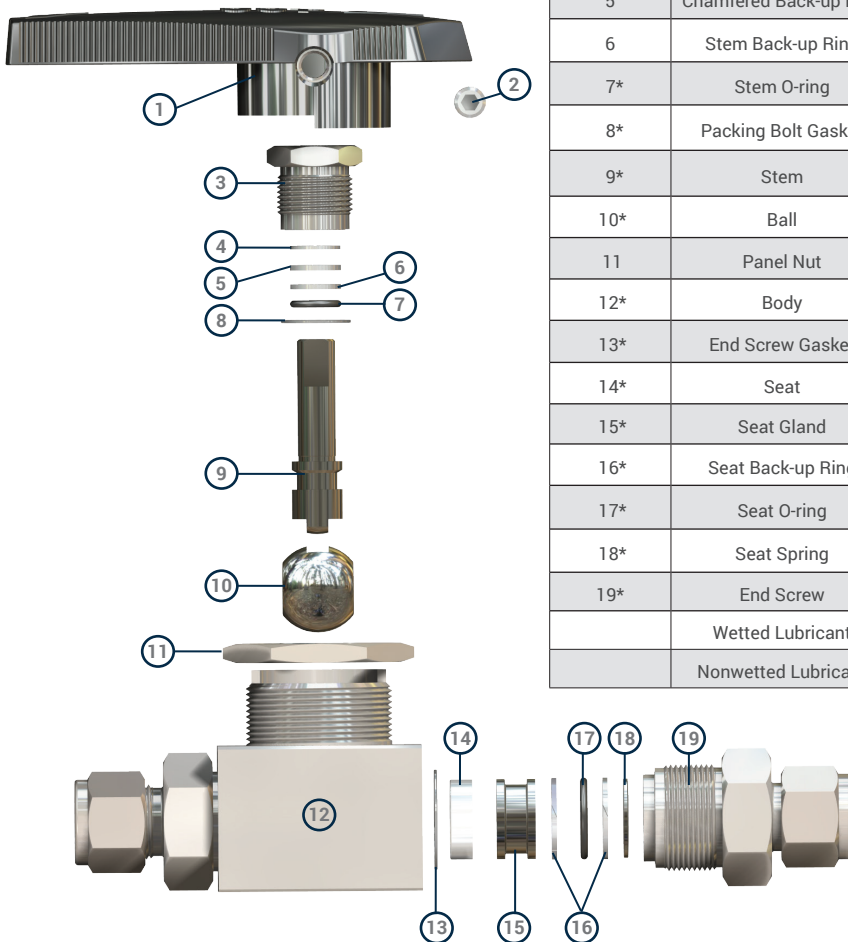
6 DURABLE DIRECTIONAL HANDLE

- Stainless steel reinforced nylon handle for durability
- Indicates flow direction
- Large ergonomic handle for easier actuation

Temperature Pressure Tables

END CONNECTIONS	TUBE FITTINGS			FEMALE PIPE	MALE PIPE	MALE/FEMALE ORFS
	1/4 to 1/2 in., 6 to 12 mm	3/4 in., 16 mm	1 in.	1/4 to 3/4 in.	1/4 to 1/2 in.	3/8, 1/2 in.
TEMPERATURE, F (C)	WORKING PRESSURE, PSIG (BAR)					
<i>FB Series</i>						
-15 (-26) to 250 (121)	6000 (413)	5800 (400)	5500 (379)	6000 (413)	6000 (413)	6000 (413)
300 (148)	3000 (206)	3000 (206)	3000 (206)	3000 (206)	3000 (206)	3000 (206)
350 (176)	2000 (138)	2000 (138)	2000 (138)	2000 (138)	2000 (138)	2000 (138)
400 (204)	1000 (68.9)	1000 (68.9)	1000 (68.9)	1000 (68.9)	1000 (68.9)	1000 (68.9)
<i>LFB Series</i>						
-40 (-40) to 200 (93)	6000 (413)	5800 (400)	5500 (379)	6000 (413)	6000 (413)	6000 (413)

Materials of Construction



ID	COMPONENT	MATERIAL	SPECIFICATION
1	Handle	Nylon with SS Insert	-
2	Handle Set Screw	Stainless Steel	A276
3*	Packing Bolt	316 SS	A479
4	Stem Bearing	PEEK	-
5	Chamfered Back-up Ring	PEEK	
6	Stem Back-up Ring	PTFE	D1710
7*	Stem O-ring	Fluorocarbon FKM/ Low-Temp Nitrile	-
8*	Packing Bolt Gasket	Silver-Plated 316 SS	A240
9*	Stem	316 SS	A479
10*	Ball	316 SS	A276
11	Panel Nut	Powder Metal 316 SS	B783
12*	Body	316 SS	A182
13*	End Screw Gasket	Silver-Plated 316 SS	A240
14*	Seat	PEEK	-
15*	Seat Gland	316 SS	A479
16*	Seat Back-up Ring	PTFE	D1710
17*	Seat O-ring	Fluorocarbon FKM/ Low-Temp Nitrile	-
18*	Seat Spring	316 SS	A240 or A666
19*	End Screw	316 SS	A479
	Wetted Lubricant	PTFE-Based	
	Nonwetted Lubricant	Molybdenum disulfide	

* Wetted components

Ordering Instructions

Ordering FB Series valves requires the following steps:

- 1 *Locate the basic part number with the required orifice size and end connection type and size (page 11).*

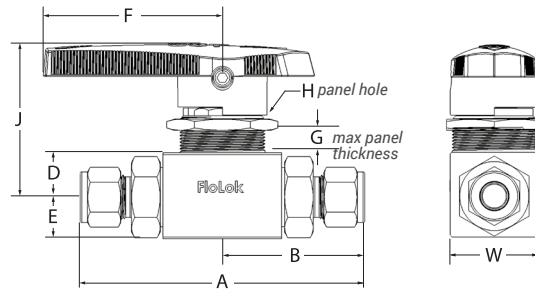
*Example: **38PD8-316** Note: Duolok Tube Fitting end connections are standard. Unilok, and Griplok tube fitting end connections are also available. To order, please see Tube Fitting End Connections on page 12.*

- 2 *To specify low-temperature LFB Series valves, add "L" before the basic part number. Example: **L38PD8-316***

- 3 *Add designators for other options. (See pages 12-14.) Example: **38PD86PF-RD-XP98***

*Note: The Part Number and Dimensions Tables contain the most popular part numbers. Valves can be configured with different end connection types and sizes. Please use to special order table on page 14 to construct a part number for quote. Example: **38PD86PF-RD-XP98***

Ordering Information



Part Numbers and Dimensions

CONNECTION		PART NUMBER	ORIFICE	CV	DIMENSIONS, IN. (MM)								
TYPE(S)	SIZE				A	B	D	E	F	G	H	J	W
Fractional Tube Fitting	1/4 in.	36PD4-316	0.188	1.3	3.60 (91.4)	1.80 (45.7)	0.44 (10.8)	0.44 (10.8)	1.43 (36.3)	3/16	25/32	1.53 (38.9)	1.00 (25.4)
	3/8 in.	36PD6-316	0.250	2.5	3.73 (91.5)	1.86 (47.2)							
	1/2 in.	38PD8-316	0.406	7.2	4.80 (122)	2.40 (61.0)	0.75 (19.1)	0.70 (17.8)	3.02 (81.3)	3/8	1 1/2	2.59 (65.8)	1.50 (36.8)
	3/4 in.	38PD12-316	0.472	7.1	4.80 (122)	2.40 (61.0)							
	1 in.	38PD16-316 ¹	0.472	6.5	5.10 (130)	2.55 (64.8)							
Metric Tube Fitting	6 mm	36PDM6-316	0.188	1.3	3.60 (91.4)	1.80 (45.7)	0.44 (10.8)	0.44 (10.8)	1.43 (36.3)	3/16	25/32	1.53 (38.9)	1.00 (25.4)
	8 mm	36PDM8-316	0.250	2.5	3.68 (93.5)	1.84 (46.7)							
	10 mm	36PDM10-316	0.250	2.5	3.75 (95.3)	1.88 (47.8)	0.75 (19.1)	0.70 (17.8)	3.02 (81.3)	3/8	1 1/2	2.59 (65.8)	1.50 (36.8)
	12 mm	38PDM12-316	0.375	5.2	4.80 (122)	2.40 (61.0)							
	16 mm	38PDM16-316	0.472	12.4	4.80 (122)	2.40 (61.0)							
Female NPT	1/4 in.	36P4PF-316	0.250	2.5	2.91 (73.9)	1.46 (37.1)	0.44 (10.8)	0.44 (10.8)	1.43 (36.3)	3/16	25/32	1.53 (38.9)	1.00 (25.4)
	3/8 in.	38P6PF-316	0.472	11.0	4.00 (102)	2.00 (50.8)							
	1/2 in.	38P8PF-316	0.472	13.8	4.00 (102)	2.00 (50.8)	0.75 (19.1)	0.70 (17.8)	3.02 (81.3)	3/8	1 1/2	2.59 (65.8)	1.50 (36.8)
	3/4 in.	38P12PF-316 ¹	0.472	7.8	4.12 (105)	2.06 (52.3)							
Male NPT	1/4 in.	36P4PM-316	0.250	2.5	3.23 (82.0)	1.62 (41.0)	0.44 (10.8)	0.44 (10.8)	1.43 (36.3)	3/16	25/32	1.53 (38.9)	1.00 (25.4)
	3/8 in.	38P6PM-316	0.375	5.2	4.22 (107)	2.11 (58.6)							
	1/2 in.	38P8PM-316	0.472	13.8	4.59 (117)	2.29 (58.3)	0.75 (19.1)	0.70 (17.8)	3.02 (81.3)	3/8	1 1/2	2.59 (65.8)	1.50 (36.8)
Female ISO	1/4 in.	36P4FRT-316	0.250	2.5	2.91 (73.9)	1.46 (37.1)	0.44 (10.8)	0.44 (10.8)	1.43 (36.3)	3/16	25/32	1.53 (38.9)	1.00 (25.4)
	1/2 in.	38P8FRT-316	0.472	13.8	4.00 (102)	2.00 (50.8)							
Male ORFS (SAE J1453)	3/8 in.	36PS6-316 ¹	0.250	2.5	3.10 (78.8)	1.55 (39.4)	0.44 (10.8)	0.44 (10.8)	1.43 (36.3)	3/16	25/32	1.53 (38.9)	1.00 (25.4)
	1/2 in.	38PS8-316	0.378	5.2	4.06 (103)	2.03 (51.6)							
Female ORFS (SAE J1453)	3/8 in.	36PSS6-316 ¹	0.250	2.5	3.73 (94.7)	1.87 (47.4)	0.44 (10.8)	0.44 (10.8)	1.43 (36.3)	3/16	25/32	1.53 (38.9)	1.00 (25.4)
	1/2 in.	38PSS8-316	0.358	4.8	4.83 (123)	2.41 (61.3)							

¹Not recommended for panel mounting. Not available with pneumatic actuator.

Options & Accessories

Tube Fitting End Connections

SSP offers three tube fitting designs. Duolok® two-ferrule tube fittings are standard. To select a different design, select the designator from the table below, then substitute it for the “D” in the part number. *Example: 36PU4-316 for Unilok® tube fitting end connections.* For more information about SSP tube fittings see our tube fitting catalogs or go to www.mySSPusa.com

DESIGN	DESCRIPTION	DESIGNATOR
Duolok	2-Ferrule	D
Unilok	1-Ferrule	U
Griplok	2-Ferrule	G

Low-Temperature LFB Series

LFB Series low-temperature ball valves with low-temperature Nitrile O-rings can be ordered by adding “L” before the basic part number. *Example: L38PD8-316*

Handle Options

Stainless steel reinforced black nylon handles are standard on FB Series ball valves. To select a different handle, add the designator from the table below to the basic part number. *Example: 38PD8-316-GR*

HANDLE COLOR	DESIGNATOR
Black	None
Green	-GR
Red	-RD
Blue	-BL
Yellow	-YW
Orange	-OG
No Handle	-NH

Replacement Handles

Replacement handles are shipped with the stainless steel insert and set screw installed. To order replacement handles, select the base part number from table below, then add the color designator from the Handle Options table to the end of the part number. For black replacement handles use a -BK color designator. *Example: NY-7K-38-OG*

VALVE SERIES	BASE PART NUMBER
36	NY-7K-36-XX
38	NY-7K-38-XX

Locking Devices

Factory installed locking handle hardware can be added to any size valve by adding -LD to the part number. *Example: 38PD8-316-LD.* Locking handle kits for field installation can be ordered using the part numbers in the table below.

VALVE SERIES	BASE PART NUMBER
36	36-LDK-316
38	38-LDK-316

Special Cleaning

ASTM G93, Level C and CGA G-4.1 compliant cleaning is available for valves with oxygen compatible lubricant. To specify special cleaning, add the designator in the table below to the part number. *Example: 38P8PF8PM-316-XP98*

DESCRIPTION	DESIGNATOR
ASTM 93 Compliant Cleaning	-XP98

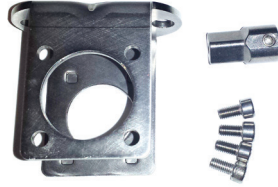
For more information about special cleaning, please contact your local distributor or SSP.

Tamper Resistant Valves

FB series valves are available with a tamper resistant bonnet and end screw connections to prevent accidental disassembly of the valve. For more information or to order tamper resistant valves, contact SSP customer service.

Actuator Brackets & Couplings

Actuator brackets and couplings are available for ISO 5211 compliant actuators. Actuator kits contain the actuator bracket, coupling and fasteners required to install the actuator bracket and connect to the actuator.



VALVE SIZE	ISO 5211 FLANGE SIZE	COUPLING SIZE	FASTENER SIZE	ORDERING NUMBER
36	F04	11 mm ISO	Metric	36-MB-F04-11ISO-M
			Fractional	36-MB-F04-11ISO-F
		11 mm DIN	Metric	36-MB-F04-11DIN-M
			Fractional	36-MB-F04-11DIN-F
	F05	11 mm ISO	Metric	36-MB-F05-11ISO-M
			Fractional	36-MB-F05-11ISO-F
		11 mm DIN	Metric	36-MB-F05-11DIN-M
			Fractional	36-MB-F05-11DIN-F
		14 mm ISO	Metric	36-MB-F05-14ISO-M
			Fractional	36-MB-F05-14ISO-F
		14 mm DIN	Metric	36-MB-F05-14DIN-M
			Fractional	36-MB-F05-14DIN-F
38	F05	11 mm ISO	Metric	38-MB-F05-11ISO-M
			Fractional	38-MB-F05-11ISO-F
		11 mm DIN	Metric	38-MB-F05-11DIN-M
			Fractional	38-MB-F05-11DIN-F
		14 mm ISO	Metric	38-MB-F05-14ISO-M
			Fractional	38-MB-F05-14ISO-F
		14 mm DIN	Metric	38-MB-F05-14DIN-M
			Fractional	38-MB-F05-14DIN-F
		17 mm ISO	Metric	38-MB-F05-17ISO-M
			Fractional	38-MB-F05-17ISO-F
		17 mm DIN	Metric	38-MB-F05-17DIN-M
			Fractional	38-MB-F05-17DIN-F
	F07	17 mm ISO	Metric	38-MB-F07-17ISO-M
			Fractional	38-MB-F07-17ISO-F
		17 mm DIN	Metric	38-MB-F07-17DIN-M
			Fractional	38-MB-F07-17DIN-F

Actuation Torque

Use the table below to select the correct actuator for the valve and application. The values listed are the minimum required actuator torque at maximum system pressure for each valve.

VALVE SIZE			
36		38	
in-lb (N-m)			
Start	End	Start	End
26 (3.0)	10 (1.2)	76 (8.8)	41 (4.7)

Sour Gas Service

FB Series ball valves constructed with materials selected in accordance with NACE MR01-75/ ISO 15156 are available for sour gas service. See NACE specification for information on stainless steel tube fitting requirements. To order add -SG to the part number. *Example 38PD8-316-SG*

COMPONENT	MATERIAL/SPECIFICATION
Ball, stem, end screw, and packing bolt	Alloy 400, R405/B164
Seat and stem O-rings	Ethylene propylene
Seat springs	Alloy 718/AMS 5596

Rebuild Kits

Rebuild kits can be ordered using a part number from the table below.

SEAT KITS: Seat rebuild kits contain seats, seat backup rings, seat o-rings, seat springs, end screw gaskets, lube, MSDS and instructions.

SEAT AND STEM KITS: Seat and Stem rebuild kits contain stem o-ring, stem back-up ring, stem chamfered back-up ring, stem bearing, packing bolt gasket, seats, seat backup rings, seat o-rings, seat springs, end screw gaskets, lube, MSDS and instructions.

SIZE	SEAT ONLY	SEAT AND STEM
36	36P-RK1	36P-RK2
38	38P-RK1	38P-RK2
L36	L36P-RK1	L36P-RK2
L38	L38P-RK1	L38P-RK2

Special Orders

The Basic Ordering Numbers and Dimensions tables (page 11) contain only the most popular valve configurations; many more are available. If the required valve configuration is not in the Basic Ordering Numbers and Dimensions tables, use the chart below to build part numbers for quotation purposes.

(basic ordering number)

(options)

A **B** **C** **D**

E

L 38P D8 6PF -316 -GR -LD -SG

A TEMPERATURE

Blank -15 to 400°F (-25 to 204°C)
L -40 to 200°F (-40 to 93°C)

B VALVE SIZE

36P 0.250 Ball Orifice with PEEK seats
38P 0.472 Ball Orifice with PEEK seats

C + D INLET TYPE² + OUTLET TYPE²

		Fractional Sizes:	Metric Sizes:
D	Duolok® Tube Fitting	4 1/4 in.	M6 6 mm
U	Unilok® Tube Fitting	6 3/8 in.	M8 8 mm
G	Griplok® Tube Fitting	8 1/2 in.	M10 10 mm
PF	Female NPT	12 3/4 in.	M12 12 mm
PM	Male NPT	16 1 in.	M16 16 mm
FRT	Female ISO Tapered		
S	Male O-ring Face Seal (SAE J1453)		
SS	Female O-ring Face Seal (SAE J1453)		
DTA	Duolok Tube Stub		
GTA	Griplok Tube Stub		
UTA	Unilok Tube Stub		
MRS	Male ISO Straight Thread		
FRS	Female ISO Straight Thread		
MRT	Male ISO Tapered Thread		
MST	Male SAE Straight Thread		
FST	Female SAE Straight Thread		

E OPTIONS¹

HANDLES

(Blank) Black
-GR Green
-RD Red
-BL Blue
-YW Yellow
-OG Orange
-NH No Handle

SPECIAL CLEANING

-XP98 Oxygen cleaned,
per ASTM G93,
Level C and
CGA G-4.1

OTHER OPTIONS

-LD Locking Device
-SG Sour Gas

Important Information



IMPROPER SELECTION OR IMPROPER USE OF THE PRODUCTS DESCRIBED HEREIN OR RELATED ITEMS CAN CAUSE PERSONAL INJURY AND PROPERTY DAMAGE. It is the sole responsibility of the system designers and users to properly select and use products for their specific applications. This document has been provided to users with technical expertise as a reference for further investigation to determine specific product needs relative to their design requirements.



FB Series ball valves should only be used in the full on or full off position. Throttling may damage the valve.

Testing

All FB Series valves are factory tested with Nitrogen to 1000 psig (69 bar) at 70°F (20°C).

Warranty

FloLok valves are backed by the SSP Limited Life Time Warranty. This warranty is available from your local distributor or at www.mySSPusa.com.

¹ Add options designators to the end of the Base Part Number in alphabetical order.

² Tube end and O-ring face seal connection part numbers are formatted "Type" followed by "Size." Example: D6 or SS6. Pipe end connections are formatted "Size" followed by "Type." Example: 6PF. If both ends of the valve are the same, then only designate the end connection one time. Example 38PD8-316. If they are different, use both designators together. Example: 38PD88PF-316.

Duolok®, Unilok®, Griplok® and TruFit® are registered trademarks of SSP Corp.
Swagelok® is a registered trademark of The Swagelok Company
Parker CPI™ is a trademark of Parker-Hannifin Corp.
Gyrolok® is a registered trademark of Hoke Inc.

More SSP Products



Tube Fittings

Duolok and Griplok two-ferrule and Unilok® single ferrule tube fittings provide leak-tight installation even when intermixed with Swagelok®, Hoke Gyrolok® and Parker CPI™ fittings.



Valves

The FloLok valve offering includes ball, check, metering, needle, toggle, plug, bleed, and purge valves for pressures up to 10,000 psig.



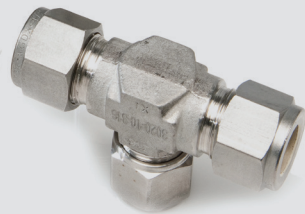
Tubing

SSP offers straight and coiled seamless 316 stainless steel instrumentation tubing for instrumentation, process and utility applications.



Pipe Fittings

TruFit and TruFit 10K pipe fittings are available in a wide range of weld, threaded and flared connections.



Filters

FloLok in-line and tee-type filters trap particles to clean sample fluids and protect sensitive process and analytical instrumentation components and equipment.



Hose

TruFit PTFE-lined and flexible metal core hose assemblies are used in a variety of instrumentation, utility, biopharm and other applications.



Tools & Accessories

SSP TurnPro professional hand tools, power tools and installation training make quality tube system installation faster and easier.



Quick Connects

SSP offers single-end shutoff, double-end shutoff, and full-flow quick connects for instrumentation and process applications.

SSP

Founded 1926 • Privately owned, third generation family business • Modern manufacturing facility –
165,000 square feet • Captive closed die forging operation • Integrated tool & die production
Nearly 200 machining centers • ISO 17025 testing laboratory • Automated warehouse retrieval system
ISO 9001 quality management system • \$20,000,000 product liability insurance policy • DFARS-com-
pliant raw material • EN 10204 3.1 certification • Limited Lifetime Warranty • ASME B31.3 design
Canadian Registration Number OA98665 • Third Party Approvals from CSA, TÜV, DNV, and ABS



8250 Boyle Parkway • Twinsburg, OH 44087
330-425-4250 • www.mySSPusa.com